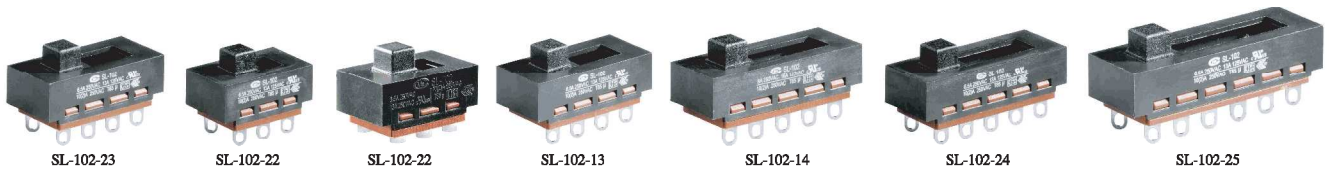


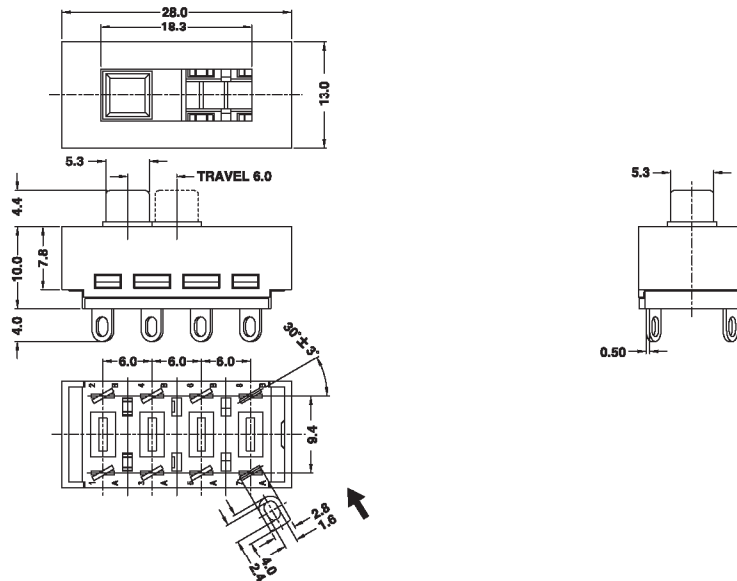


SL-102 Series

SLIDE SWITCH



Specification:							
10(2)A	250VAC	T85			6.5A	250VAC	T125
					13A	125VAC	
					8A	250VAC	T125
					16A	125VAC	



SL - 102 —

23		M		2		S		Internal Use Only
Circuit	Ref. Base Dimension	Current	Knob Type	Terminal Type				
11	1P1T	M 10(2)A 250VAC 13A 125VAC	1		S			
21	2P1T					L 10(2)A 250VAC 16A 125VAC	2	
12	1P2T	11						
22	2P2T	21						
13	1P3T	12						
23	2P3T	13						
14	1P4T	23						
24	2P4T	14						
15	1P5T	24						
25	2P5T	15						
		25						