

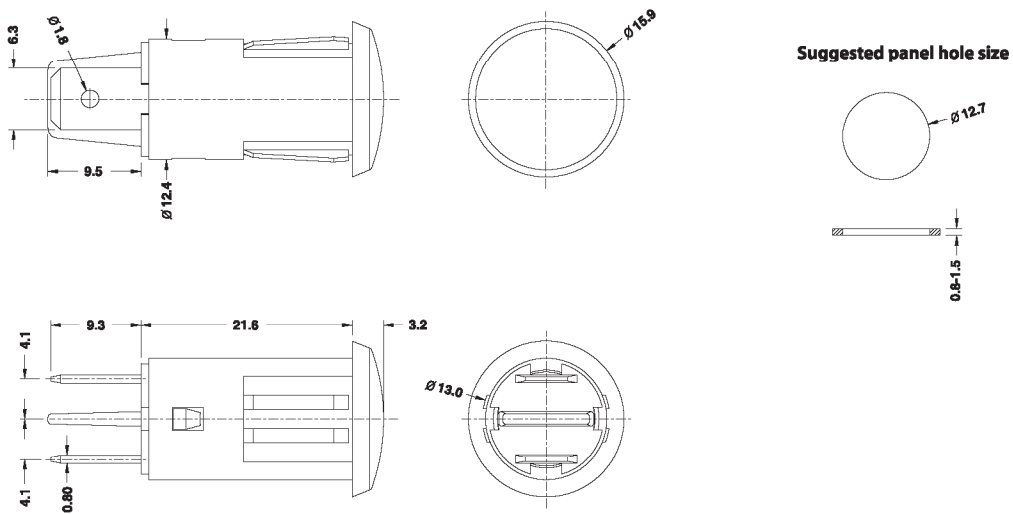


LH-580 / 581 Series

INDICATOR LAMP



Specification:			
Neon and Fluorescent bulbs 110(130)V, 230(250)V, 400V LED 6V, 12(14)V, 24(28)V	T100	T125	



LH - 58



Type	Button Color	Lamp Type/Voltage	Terminal Type / Lead Wire	Internal Use Only
0 QC Terminal	AM Amber	N01 Neon 110(130)V		
1 w/Lead Wire	CL Clear	N02 Neon 230(250)V		
	RE Red	N03 Neon 400V		
	GR Green	L11 LED 6V		
		L12 LED 12(14)V		
		L13 LED 24(28)V		
			1 Lead Wire 100mm Other length of lead wire are available on request	

Remarks:
 1) Standard Rating
 6~28V = 1.0W Max.
 110~400V = 0.5W Max.
 2) Terminal Q and T not applicable to LH-581