

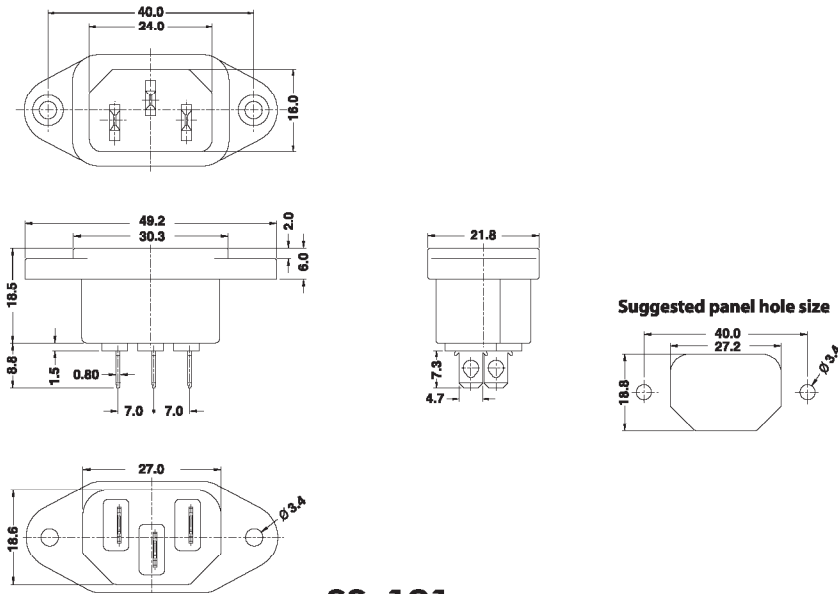


# SS-101 Series

AC SOCKET



Specification:			
10A 250VAC T70		15A 125VAC/250VAC	
10A 250VAC T120			



## SS-101—

00		0		BK		3		Q		
Sub. Cat.		Panel Thickness	0 Not Applicable	Base Color	BK Black	No. of Terminal	2 2 pins	Terminal Type		Internal Use Only
00		2 1.0	WT White	3 3 pins						
0H		3 1.5	GE Grey							
S0		4 2.0								
SH		5 3.0								