



SD-51/52/53 Series

ADAPTOR



Specification:
10A 250VAC

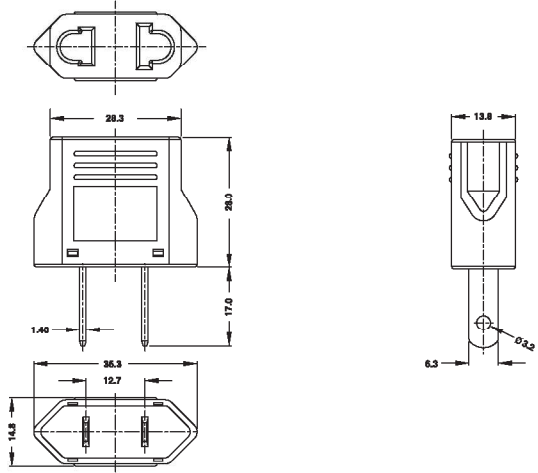
SD-51

2 BK

Terminal Type	
2	
3	
4	
5	

Base Color	
BK	Black
WT	White
GE	Grey

Internal Use Only



Specification:
10A 250VAC

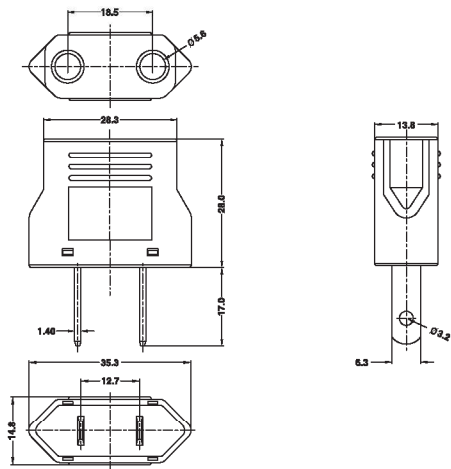
SD-52

2 BK

Terminal Type	
2	
3	
4	
5	

Base Color	
BK	Black
WT	White
GE	Grey

Internal Use Only



Specification:
10A 250VAC

SD-53

4 BK

Terminal Type	
3	
4	
5	
6	

Base Color	
BK	Black
WT	White
GE	Grey

Internal Use Only

