



SM-53 Series

MICRO SWITCH



SM-53F

Specification:

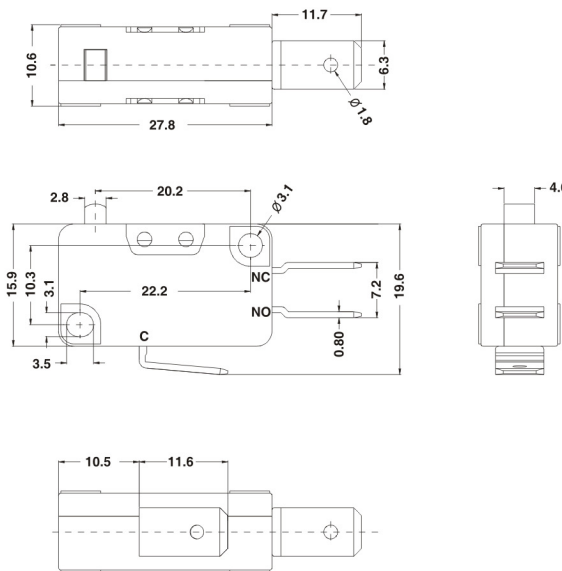
10(4)A	250VAC	T105	
10(4)A	250VAC	T105	5E4
16(8)A	250VAC	40T105	



6A	250VAC	T105
12A	125VAC	T105
11A	250VAC	T105
16A	125VAC	T105
11A	250VAC	T105
20A	125VAC	T105
1/2HP	250VAC	T105
1/4HP	125VAC	T105



E199326



SM-53

F		M		5		BK		T		0		Internal Use Only			
Function	Current	*Operating Force Options		Base Color		Terminal Type		Lever / Knob Type							
D (ON)-OFF	M 10(4)A 250VAC	1	60 g.f	BK	Black	Q		0							
E ON-(OFF)	12A 125VAC	2	100 g.f			T		1	28.0						
F ON-(ON)	H 16(8)A 250VAC 16A 125VAC	3	150 g.f												
	L 16(8)A 250VAC 10(4)A 250VAC 5E4 20A 125VAC 1/2HP 250VAC 1/4HP 125VAC	4	200 g.f												
		5	250 g.f												
		6	350 g.f												

* Operating force measured at the knob