



SM-31 Series

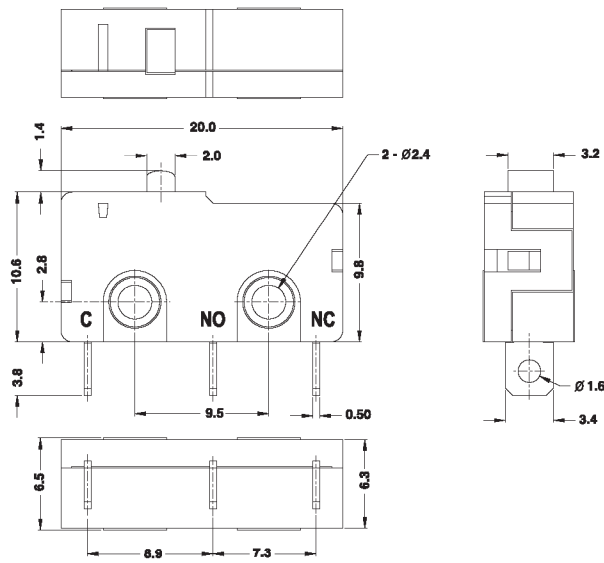
MICRO SWITCH



Specification:			
3(1)A	250VAC	T125	
3(1)A	250VAC	T85	5E4
3(3)A	250VAC	T85	5E4
8(2)A	250VAC	T125	

3A	250VAC	T125
6A	125VAC	T125
5A	250VAC	T125
10A	125VAC	T125
8A	250VAC	T125
15A	125VAC	T125
1/3HP	250VAC	T125
1/6HP	125VAC	T125

E199326	



SM-31

F		S		BK		S		O		
Function	Current	Base Color		Terminal Type				Lever / Knob Type		Internal Use Only
D (ON)-OFF	S 3(1)A 250VAC	BK Black		S		P1		0		
E ON-(OFF)	6A 125VAC			S1		A		1		
F ON-(ON)	M 3(3)A 250VAC 5E4			H		P3		2		
	6A 125VAC			H1		P2		3		
	L 8(2)A 250VAC			P				4		
	3(3)A 250VAC 5E4							5		
	10A 125VAC							6		
	H 8(2)A 250VAC							7		
	3(3)A 250VAC 5E4							8		
	15A 125VAC							9		
	1/6HP 125VAC							10		
								11		
								14		
								17		