



SB-80 Series

PUSH SWITCH



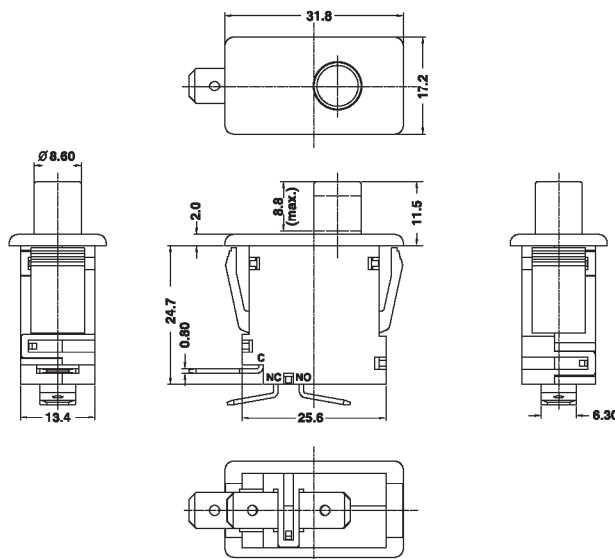
SB-80

Specification:

10(4)A 250VAC 1E4 40T85



10A 125/250VAC T105
 16A 125VAC T105
 1/3HP 125/250VAC T105



SB-80

F		M		1		WT		WT		T		Internal Use Only
Function	Current	Knob Type		Housing Color		Knob Color		Terminal Type				
D (ON)-OFF	M 10(4)A 250VAC	1		WT	White	WT	White	T				
E ON-(OFF)	10A 125/250VAC	2						Q				
F ON-(ON)	L 10(4)A 250VAC	3						Q1				
	16A 125VAC	4						S				
	1/3HP 125/250VAC	5										