

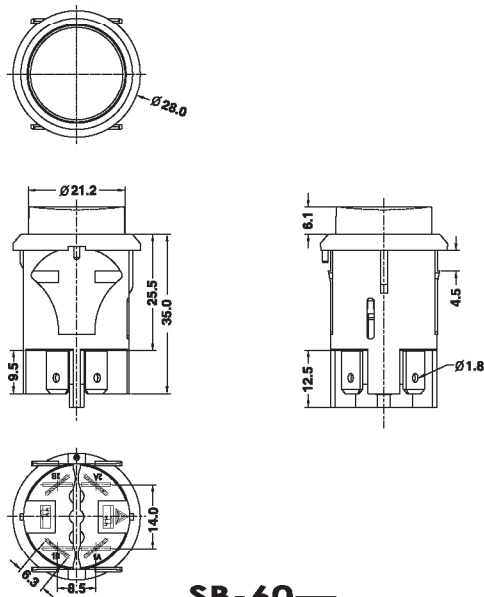


SB-60 Series

PUSH SWITCH



Specification:							
16(8)A	250VAC	T105/55		6A	250VAC	T105	 E199326
8(8)A	250VAC	T105/55	5E4	12A	125VAC	T105	
				16A	250VAC	T105	
				16A	125VAC	T105	
				1HP	250VAC	T105	
				1/2HP	125VAC		



SB-60—

Function		No. of Poles		Current		Base Type		Base Color		Knob Color		Knob Type		Printing		Color of Printing		Terminal Type		Lamp Voltage		Internal Use Only
A	ON-OFF w/lock	1	Single	M	16(8)A 250VAC	1	4.5	BK	Black	BK	Black	1	0	0	None	0	None		0	None		
D	(ON)-OFF	2	Double		12A 125VAC					WT	White			1	White	1	White		1	12V		
N	ON-OFF w/lamp			H	16(8)A 250VAC					GE	Grey			2	Black	2	Black		2	24V		
					8(8)A 250VAC 5E4	2	3.5			RE	Red			3	Red	3	Red		3	110V		
					16A 125VAC					GR	Green			4	Blue	4	Blue	4	220V			
					1/2HP 125VAC					BL	Blue			5	Yellow							
					1HP 250VAC					OR	Orange											
										AM	Amber											