



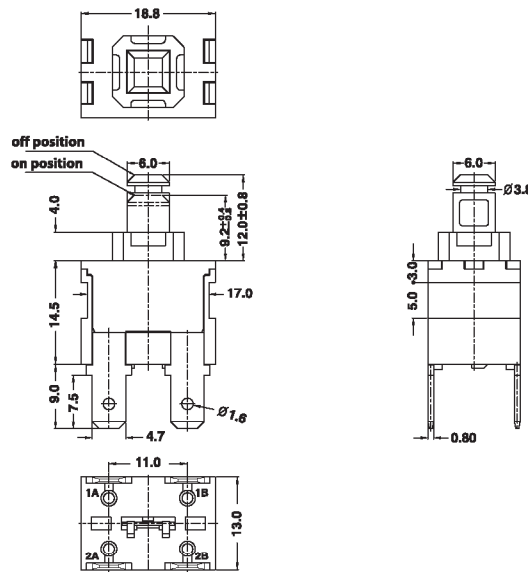
SB-50 Series

Patent No.: 0412263.4 / ZL 200430113084.7

PUSH SWITCH



Specification:			
10(3)A	250VAC	T105	5E4
10(6)A	250VAC	T105	
16(6)A	250VAC	T105	
6A	250VAC	T105	
12A	125VAC	T105	
10A	250VAC	T105	
16A	125VAC	T105	
1/2HP	250VAC	T105	
1/4HP	125VAC	T105	



SB-50

A		2		L		1		Q		Internal Use Only
Function	No. of Poles	Current	Knob Type	Terminal Type						
A ON-OFF w/lock	1 Single	M 10(3)A 250VAC 12A 125VAC	1	Q						
D (ON)-OFF	2 Double	L 16(6)A 250VAC 10(6)A 250VAC 5E4 16A 125VAC 1/2HP 250VAC 1/4HP 125VAC	2	T						
			3	Q1						
				T1						