



ST-902 Series

ROTARY SWITCH



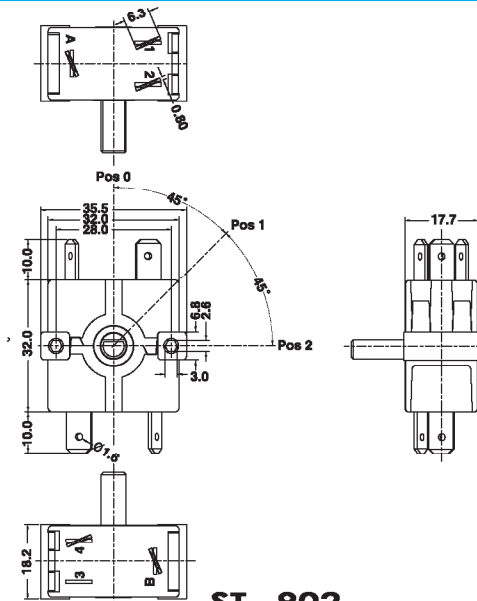
ST-902

Specification:

6(1)A	250VAC	T125	
13(2)A	250VAC	T125	
16(3)A	250VAC	T125	
6(1)A	250VAC	T125	5E4



3A	250VAC	T125
6A	125VAC	
10.1A	250VAC	T125
16A	125VAC	



ST - 902

S		H		02		5		T																															
Current	No. of Position	Circuit				Handle	Terminal Type		Internal Use Only																														
S 6(1)A 250VAC 6A 125VAC M 13(2)A 250VAC 16A 125VAC L 16(3)A 250VAC 6(1)A 250VAC 5E4 16A 125VAC	B 2 C 3 D 4 E 5 F 6 G 7 H 8	01 02 03 04 05 Almost Infinite Options 06 Please Call Factory 07 08 09 10 . . .				1 2 3 4 5 6	Q T																																
Circuit Options:																																							
<table border="1" style="width: 100%;"> <tr> <td style="text-align: center;"> B01 </td> <td colspan="3"></td> <td colspan="3"></td> <td colspan="3"></td> </tr> <tr> <td style="text-align: center;"> D01 </td> <td style="text-align: center;"> D02 </td> <td style="text-align: center;"> D03 </td> <td style="text-align: center;"> D04 </td> <td colspan="6"></td> </tr> <tr> <td style="text-align: center;"> H01 </td> <td style="text-align: center;"> H02 </td> <td colspan="8"></td> </tr> </table>										 B01										 D01	 D02	 D03	 D04							 H01	 H02								
 B01																																							
 D01	 D02	 D03	 D04																																				
 H01	 H02																																						