



ST-900 Series

ROTARY SWITCH



ST-900-S



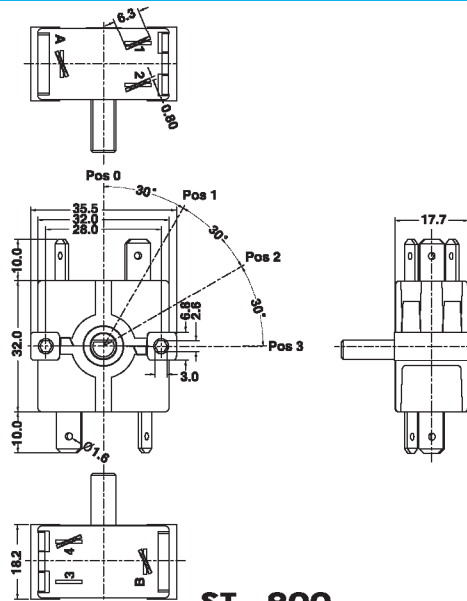
ST-900-M

Specification:

6(1)A	250VAC	T125	
13(2)A	250VAC	T125	
16(3)A	250VAC	T125	
6(1)A	250VAC	T125	5E4



3A	250VAC	T125
6A	125VAC	
10.1A	250VAC	T125
16A	125VAC	



ST - 900

S		D		10		5		T			
Current	No. of Position	Circuit				Handle		Terminal Type			
S 6(1)A 250VAC 6A 125VAC	B 2	01	Almost Infinite Options Please Call Factory								
	C 3	02									
	D 4	03									
E 5	04										
F 6	05										
G 7	06										
	07										
	08										
	09										
	10										
	...										
	...										
	...										

Internal Use Only