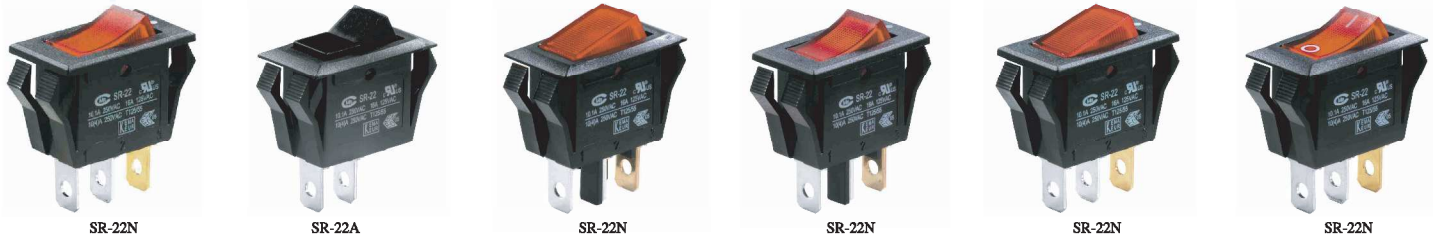


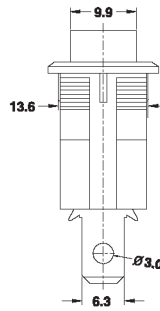
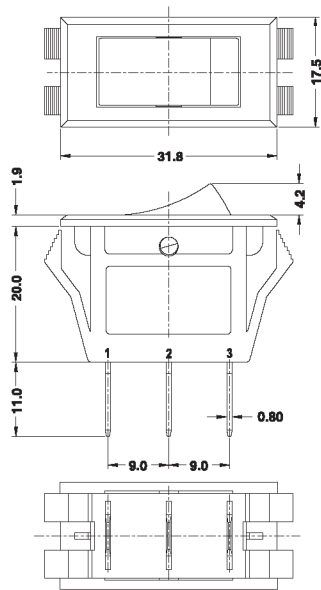


SR-22 Series

ROCKER SWITCH



Specification:													
10(4)A	250VAC	T125/55			10.1A	250VAC	T125						
16(6)A	250VAC	T125/55			16A	125VAC	T125						
10(4)A	250VAC	T125/55	5E4										



Suggested panel hole size

Panel thickness	x
0.75-3.0	29.0



SR-22

N		L		T		BK		RE		3		3		B		1		3			
Function	Current	Terminal Type		Base Color		Button Color		Bezel/Base Type		Button Type		Printing		Color of Printing		Lamp Voltage		Internal Use Only			
A ON-OFF	L 10(4)A 250VAC	T		BK Black	BK Black	1		0	None	0	None	0	None								
N ON-OFF w/lamp (Unswitched neutral)	H 16A 125VAC			WT White	WT White				1		1		1	White	1	12V					
	H 16(6)A 250VAC	T1		GE Grey	GE Grey	2		2	2	2	Black	2	24V								
	H 10(4)A 250VAC 5E4			RE Red	RE Red				2		3		3	Red	3	110V					
	H 16A 125VAC	S1		GR Green	GR Green	3		3	8	ON OFF	4	Blue	4	220V							
				BL Blue	BL Blue				3		9	OFF ON	5	Yellow							
		S		OR Orange	OR Orange	4		4	A												
				YE Yellow	AM Amber				4		B										
				YE Yellow	YE Yellow																