

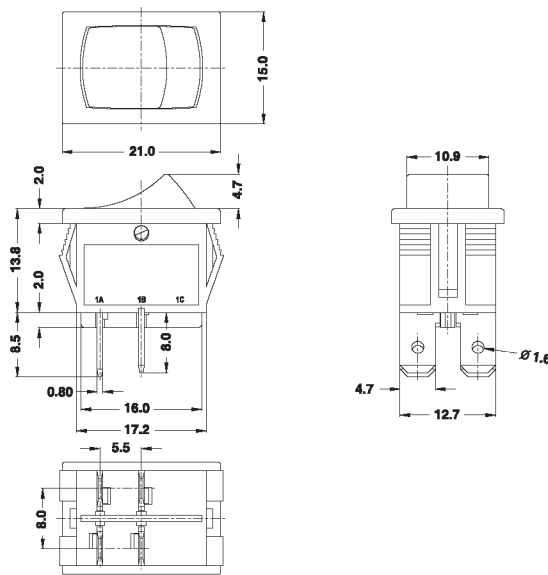


SR-11 Series

ROCKER SWITCH

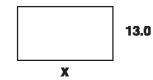


| Specification: | | | |
|----------------|--------|-----|--------|
| 3A | 250VAC | T85 | |
| | | | |
| 3A | 250VAC | 6A | 125VAC |
| | | | |



Suggested panel hole size

| Panel thickness | x |
|-----------------|------|
| 0.75-1.25 | 19.2 |
| 1.25-2.0 | 19.4 |
| 2.0-3.0 | 19.6 |



SR-11

| Function | No. of Poles | Current | Terminal Type | Base Type | Base Color | Button Color | Button Type | Printing | Color of Printing | Internal Use Only |
|-----------------|--------------|-----------|---------------|-----------|------------|--------------|-------------|----------|-------------------|-------------------|
| A ON-OFF | 1 Single | 3A 250VAC | | | BK Black | BK Black | 2 | 0 None | 0 None | |
| B ON-ON | 2 Double | 6A 125VAC | | | | | WT White | WT White | 1 | |
| C ON-OFF-ON | | | | | GE Grey | GE Grey | 2 | 2 | 2 Black | |
| D (ON)-OFF | | | | | RE Red | RE Red | | 3 | 3 Red | |
| E ON-(OFF) | | | | | GR Green | GR Green | | 4 | 4 Blue | |
| F ON-(ON) | | | | | BL Blue | BL Blue | | 5 | 5 Yellow | |
| M ON-OFF-(ON) | | | | | OR Orange | OR Orange | | 6 | | |
| X (ON)-OFF-(ON) | | | | | YE Yellow | YE Yellow | | 7 | | |
| | | | | | | | | 8 | | |
| | | | | | | | | 9 | | |
| | | | | | | | | A | | |
| | | | | | | | | G | | |