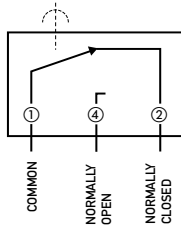


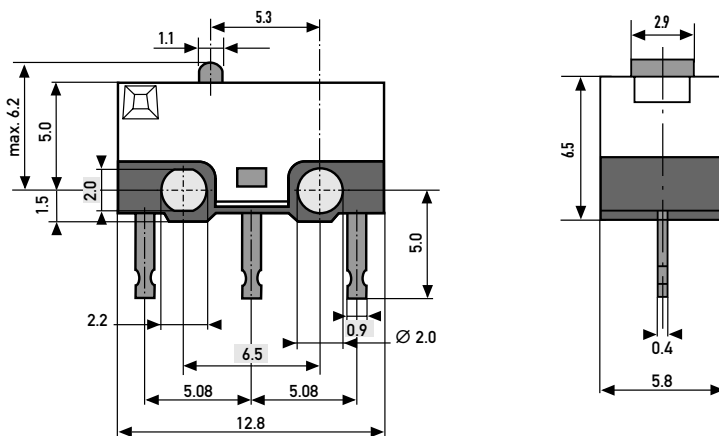
Specifications

Housing	Thermoplastic
Plunger	Thermoplastic
Mechanism	Snap-action system with steel tension spring functions
Contacts	Silver
Terminals	PCB
Temperature range °C	75° C
Mechanical life	5–10 ⁵ cycles minimum
Protection	IP40 (enclosure)
Mounting	PCB, Side mounting
Actuators	Plunger, lever
Contact carrier	Brass

Circuit diagram



Dimensions



Recommended maximum electrical ratings

Voltage (VAC)	Resistive load (A)
125	3
250	1,5